

PLEASE CHECK WWW.MOLEX.COM FOR LATEST PART INFORMATION

Part Number: **0190690102**
Status: **Active**
Description: Krimptite™ Ring Tongue Terminal for 14-16 AWG Wire

Documents:

[Drawing \(PDF\)](#) [RoHS Certificate of Compliance \(PDF\)](#)

Agency Certification

CSA LR18689
 UL E32244

General

Product Family Ring and Spade Terminals
 Series [19069](#)
 Crimp Quality Equipment Yes
 Mil-Spec N/A
 Product Name Krimptite™
 Type Ring

Physical

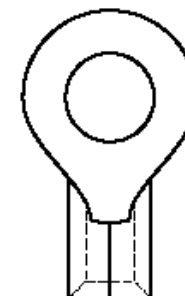
Barrel Type Closed
 Insulation None
 Material - Plating Mating Tin
 Packaging Type Adhesive Tape on Reel
 Stud Size 5-6 (M3-3.5)
 Wire Size AWG 14, 16
 Wire Size mm² 1.30 - 2.00

Material Info

Old Part Number BB-123-06T

Reference - Drawing Numbers

Sales Drawing SD-19069-013



*Series
image - Reference only*

EU RoHS

**ELV and RoHS
Compliant**

**REACH SVHC
Contains SVHC: No
Halogen-Free
Status**

Halogen-Free

**Need more information on product
environmental compliance?**

Email productcompliance@molex.com
 For a multiple part number RoHS Certificate of
 Compliance, [click here](#)

Please visit the [Contact Us](#) section for any
 non-product compliance questions.

China RoHS



Search Parts in this Series

[19069Series](#)

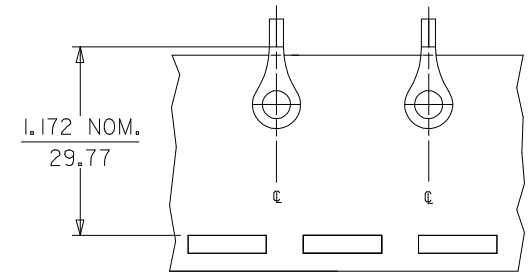
Application Tooling | [FAQ](#)

*Tooling specifications and manuals are
 found by selecting the products below.
 Crimp Height Specifications are then
 contained in the Application Tooling
 Specification document.*

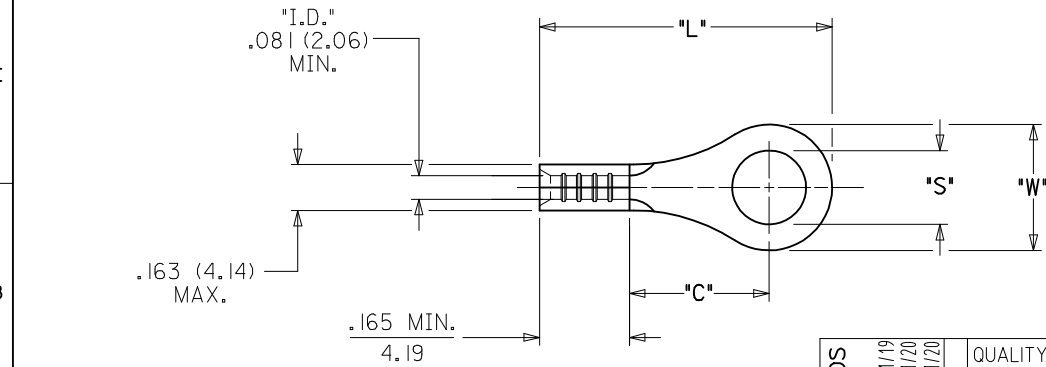
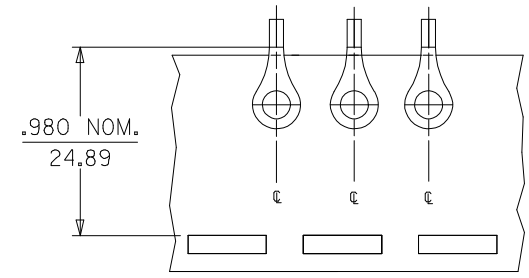
Global

| Description | Product # |
|---|----------------------------|
| ATP Perishable Tool Kit used in ATP presses that process product on tape | 0190270068 |
| Mini-Mac™ Applicator, Air Feed Mylar Tape | 0638853900 |

| MATERIAL NO. LOOSE PIECE | ENG. NO. | MATERIAL NO. TAPE MOUNTED | ENG. NO. | STUD SIZE | ±.003 "S" | "W" MAX. | "C" MIN. | "L" MAX. |
|-----------------------------|-----------|------------------------------|------------|--------------|--------------|--------------|--------------|---------------|
| 190690091 | BB-118-10 | ----- | ----- | 10 | .198 (5.03) | | | |
| 190690092 | BB-118-14 | 190690133 | BB-118-14T | 14 | .265 (6.73) | .544 (13.82) | .535 (13.59) | 1.010 (25.65) |
| 190690093 | BB-118-38 | 190690094 | BB-118-38T | 38 (A1) | .390 (9.91) | | | |
| 190690096 | BB-118-56 | 190690097 | BB-118-56T | 56 (A1) | .328 (8.33) | | | |
| 190690098 | BB-123-02 | 190690134 | BB-123-02T | 2 | .094 (2.39) | | | |
| 190690099 | BB-123-04 | 190690100 | BB-123-04T | 4 | .119 (3.02) | .260 (6.60) | .209 (5.31) | .560 (14.22) |
| 190690101 | BB-123-06 | 190690102 | BB-123-06T | 6 | .146 (3.71) | | | |
| 190690103 | BB-123-08 | 190690104 | BB-123-08T | 8 | .173 (4.39) | | | |
| 190690105 | BB-125-10 | 190690106 | BB-125-10T | 10 | .198 (5.03) | .477 (12.11) | .388 (9.86) | .837 (21.26) |
| 190690107 | BB-125-14 | 190690108 | BB-125-14T | 14 | .265 (6.73) | | | |
| 190690109 | BB-125-56 | 190690110 | BB-125-56T | 56 | .328 (8.33) | | | |
| 190690112 | BB-137-06 | 190690113 | BB-137-06T | 6 | .146 (3.71) | | | |
| 190690114 | BB-137-08 | 190690115 | BB-137-08T | 8 | .173 (4.39) | .322 (8.18) | .275 (6.98) | .645 (16.38) |
| 190690116 | BB-137-10 | 190690117 | BB-137-10T | 10 | .198 (5.03) | | | |
| 190690119 | BB-139-04 | ----- | ----- | 4 | .119 (3.02) | .352 (8.94) | .305 (7.75) | .696 (17.68) |
| 190690120 | BB-139-06 | 190690138 | BB-139-06T | 6 | .146 (3.71) | | | |
| 190690121 | BB-139-08 | 190690122 | BB-139-08T | 8 | .173 (4.39) | | | |
| 190690123 | BB-139-10 | 190690124 | BB-139-10T | 10 | .198 (5.03) | | | |



ENG. NO.
BB-118-** ONLY



- NOTE(S):**
- MATERIAL: COPPER (.031/0.79 THICK)
PLATING: ELECTROPLATE TIN
 - WIRE SIZE: 16-14 AWG²
1.0 - 2.5 MM
 - (A1) PARTS ARE ROHS COMPLIANT.

SALES DRAWING

| | | | | | | | |
|--|---|---|-----------------|--------------|--------------|---|--|
| FIX SWAPPED STUDS EC NO: WNA2009-0338 DRW: HETHRODAHL 2008/11/19 CHKD: JMACNEIL 2008/11/20 APPR: JMACNEIL 2008/11/20 | QUALITY SYMBOLS | GENERAL TOLERANCES (UNLESS SPECIFIED) | DIMENSION STYLE | SCALE | DESIGN UNITS | THIRD ANGLE PROJECTION | |
| | ▼=0 ▽=0 | mm INCH 4 PLACES ± --- ± --- 3 PLACES ± --- ± .005 2 PLACES ± 0.13 ± .01 1 PLACE ± 0.25 ± --- ANGULAR ± ---° | IN/MM | --- | INCH | DRAWN BY DATE DLM 2003/02/21 CHECKED BY DATE SB 2003/02/21 APPROVED BY DATE RWD 2003/02/21 | RING TONGUE TERMINAL KRIMPTITE 16-14 AWG |
| | DRAFT WHERE APPLICABLE MUST REMAIN WITHIN DIMENSIONS | SEE CHART | MATERIAL NO. | DOCUMENT NO. | SHEET NO. | MOLEX INCORPORATED SD-19069-013 1 OF 1 | |
| | THIS DRAWING CONTAINS INFORMATION THAT IS PROPRIETARY TO MOLEX INCORPORATED AND SHOULD NOT BE USED WITHOUT WRITTEN PERMISSION | | | | | | |